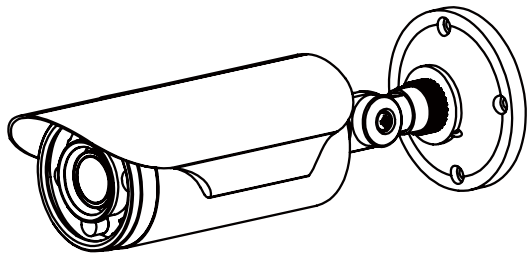




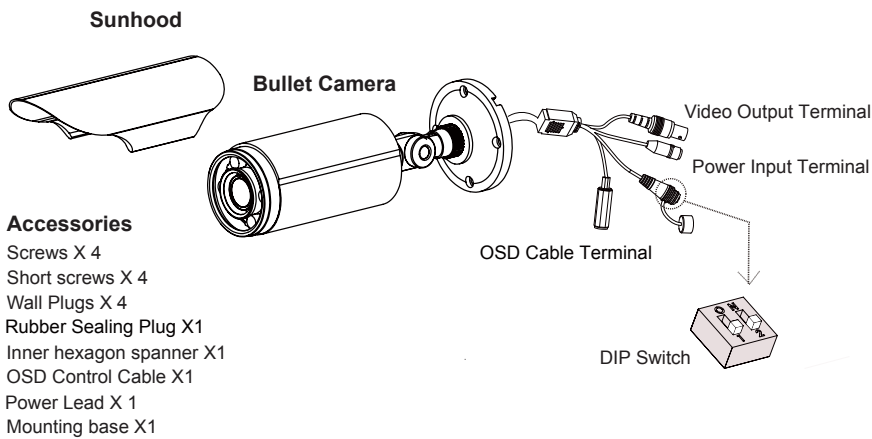
Analog HD Outdoor Bullet Camera User Guide



2MP Day / Night
Color Camera

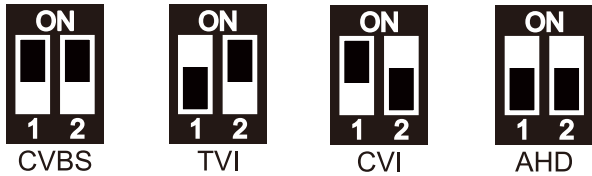
V531-BQ000-200
VER. 03/2019

Parts and Descriptions



Before Installation

If any of HD over Coaxial Technology is available and intend to be used (e.g. DVR, Video Server), please adjust to corresponded video signal before installation according to the required specifications
This dip switch cable is for setting of video signal mode, CVBS is set as factory default.



Specifications

General Specifications	
TV System	NTSC / PAL
Scanning Frequency	NTSC: 60Hz / PAL: 50Hz
Iris Type	Fixed Iris
Image Sensor	1/2.9" CMOS Sensor
Effective Picture	2 Megapixel
Resolution	2000(H)*1121(V)
S/N Ratio	≤44dB (AGC OFF)
Video Output	CVBS/AHD/TVI/CVI
IR Distance	50 m
Power Source	DC 12V±10% DC 12V±10%, AC 24V±20%
Power Consumption	TBD
Operating Temperature	-10 C - +50 C
Storage Temperature	-20 C - +60 C
Functional Specifications	
AES	AUTO / 1/30-1/50000 Sec
BLC	Off / BLC
AGC Gain Control	0-10
Day/Night Control	External Control/Color/B&W/ Auto
White Balance	ATW/AWC/Indoor/Outdoor/Manual
UTC Remotely Transmission	DVR Remotely Control
D-WDR	OFF/ON
Defog	OFF/ON
Motion Detection	OFF/ON
Privacy Zone	4 Privacy Zone
Sharpness	0-10
Digital Noise Reduction	2D/3D NR
Language	English/Simplified Chinese/Traditional Chinese/German/French/Italian/Spanish Polish/Russian/Portuguese/Dutch/Turkish

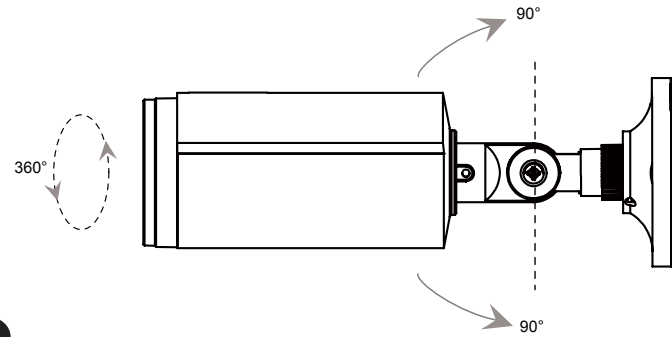
Lens Specifications		
Focal Length	2.8-12 mm	6.0-22 mm
F No.	F1.8-F360	F2.2-F360
Field of View	H	89°-29°
	V	64°-21.6°
	D	120°-36°
		37.2°-14.4°
		27.9°-11.4°
		46.5°-18°

Precautions

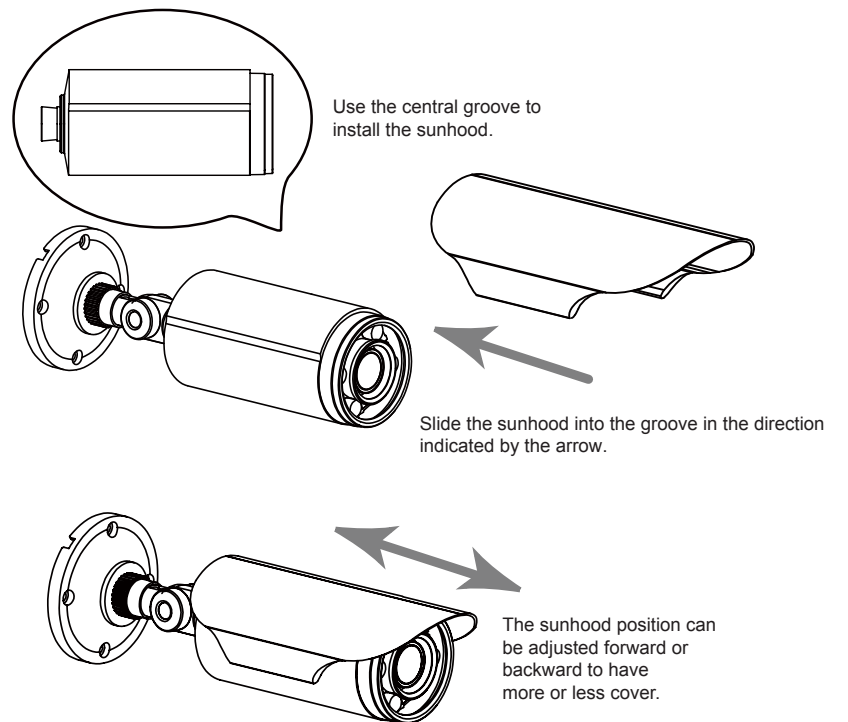
- Do not attempt to aim the camera at the sun or other extremely bright objects. This may cause damage to the CMOS and the void of warranty.
- Do not touch the lens or the CMOS by hands while installing or adjusting the camera. This may cause damage to the camera.
- Do not attempt to disassemble the camera. It may change its waterproof design and cause water leakage.

Camera Installation

- Screws can be loosened and the desired position can be adjusted. Loosen and tighten the screws by using a crosshead screwdriver.



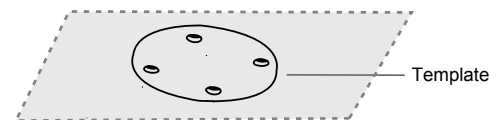
- To remove/install the sunhood, please follow the direction indicated below.



3 Mounting on ceiling

Step1: Prepare the mounting area

Use the template to mark an appropriate mounting position on the ceiling, drilling to create apertures on a wall or ceiling.



Step2: Mount the mounting base

Insert the wall plugs into the drilled holes and fix the mounting base onto surface by using screws "B" supplied in the accessories bag.

